

PINE DOOR

RESIDENTIAL BORE SHEET

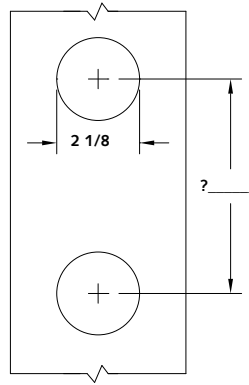
Customer: _____

Work Order #: _____

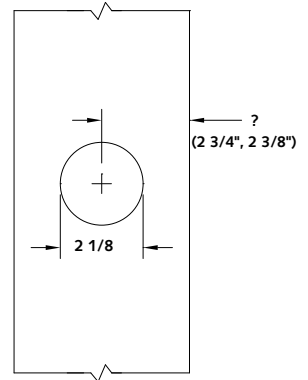
Door #: _____

**HARDWARE INFORMATION
NEEDED TO BORE DOORS**

DOUBLE BORE

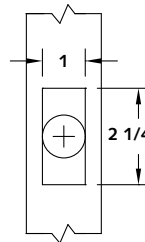


BACKSET

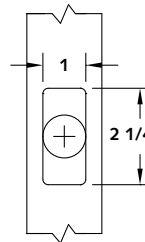


**SQUARE OR ROUND
EDGE PREP?**

EDGE BORE W/ SQUARE CORNER

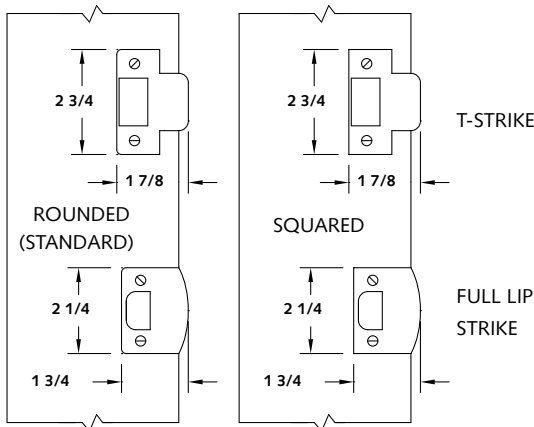


EDGE BORE W/ ROUNDED CORNER (STANDARD)



LOCKSET

STRIKE PLATES
CHOOSE ONE (OF 4) _____.



DEAD BOLT

STRIKE PLATES
CHOOSE ONE (OF 4) _____.

